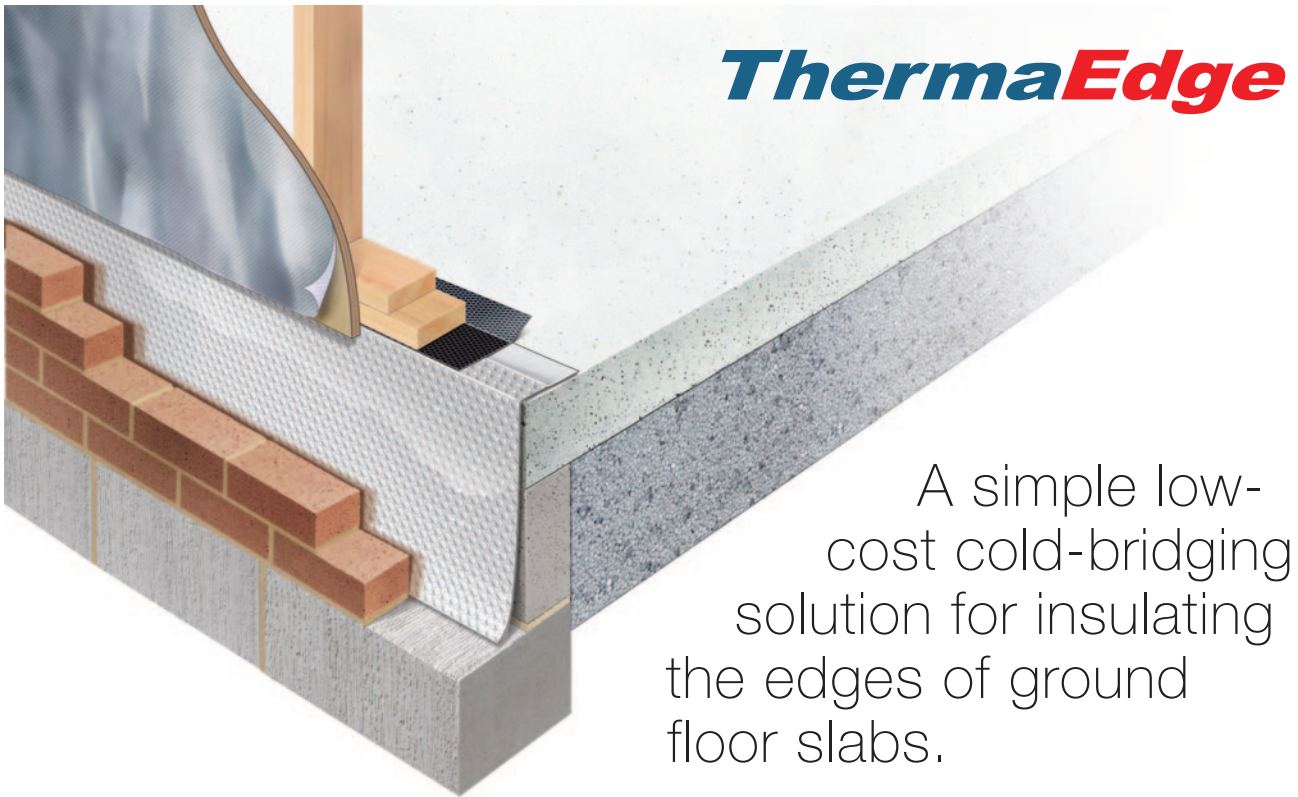


## THE IDEAL SOLUTION FOR TIMBER FRAME CONSTRUCTION



A simple low-cost cold-bridging solution for insulating the edges of ground floor slabs.

ThermaEdge can be easily stapled to the underside of the sole plate by the frame installer at the same time as fitting the dpc.

- Flat top edge allows ThermaEdge to be built into the inner leaf.
- Suitable for use with masonry or framed constructions.
- Thin & flexible.
- Easy to fit.
- Water & rain resistant helping to prevent water penetration.
- Environmentally friendly:  
ODP = Zero  
GWP = Less than 5

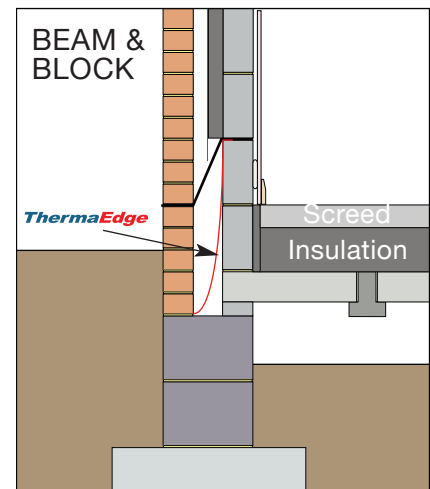
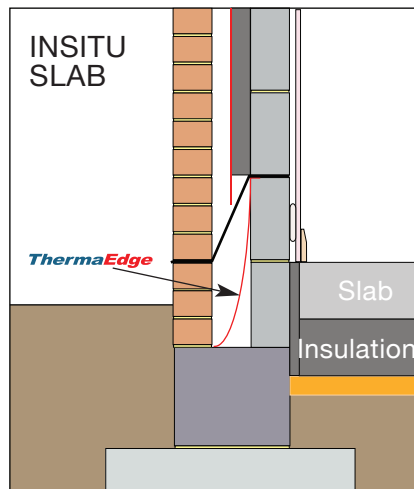


Please see overleaf for further information or contact our Technical Department on 01582 544255 to discuss your project.

## STANDARD DETAILS

Our experience of visiting building sites revealed an often overlooked problem- nearly all examples of framed construction had a cold bridge at the slab edge.

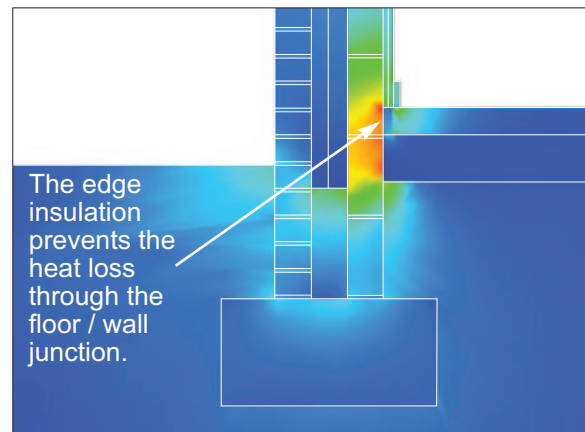
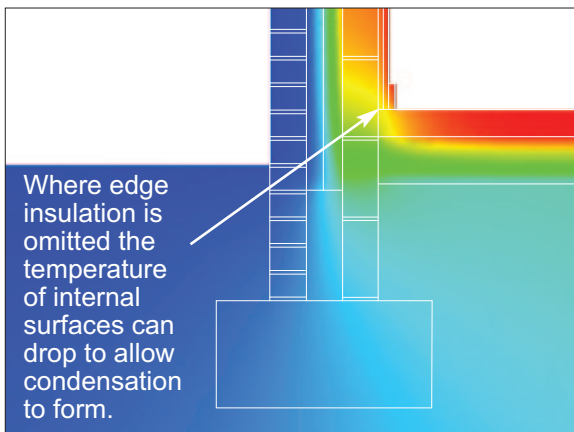
As the works do not fall into the scope of either ground workers or bricklayers we set about addressing this issue.



## PROOF OF THERMAL IMAGING

ThermaEdge provides a simple and effective solution to this problem as it can be installed by the frame installer at the same time as the dpc.

It is stapled to the underside of the sole plate so that it can be dressed down the face of the slab. This provides insulation and prevents cold-bridging through this junction.



## ENVIRONMENTALLY FRIENDLY MATERIALS - RECYCLED & SUSTAINABLY SOURCED

Thermal Economics is an ISO 9001 and ISO 14001 certified company with a proven history of developing high performance innovative products using recycled and sustainable materials.

As the core of our Thermal Insulation we utilise 100% recyclable EPS. Not only is EPS an excellent insulator, but also one



of the few materials given an A+ environmental rating by the BRE.

- Zero ODP- no blowing agents
- GWP- Less than 5

This demonstrates our passion for making a difference not just in the present, but for our future.



T: 01582 450814

E: info@thermal-economics.co.uk

W: www.thermal-economics.co.uk



Visit our website for mobile friendly installation guides



Choose the right product- call Thermal Economics Technical Department on 01582 544255  
For all our Acoustic and Thermal insulation products visit: [www.thermal-economics.co.uk](http://www.thermal-economics.co.uk)