

ISOEDGE- FLANKING SOUND INSULATION SOLUTIONS



IsoEdgeTM



The biggest cause of acoustic test failures in the construction industry is from sound that bypasses the insulation by travelling through the structure of the building. This is known as flanking sound.

The IsoEdge range of products provide a comprehensive, easy-fit solution for resolving problematic flanking sound details.

For help choosing the right product for your project please contact Thermal Economics
Technical Department on 01582 544255

For all our Acoustic & Thermal insulation products visit: www.thermal-economics.co.uk

IsoEdge™

Thermal Economics
THERMAL & ACOUSTIC INSULATION TECHNOLOGY

Product: **IsoEdge™**
6/260

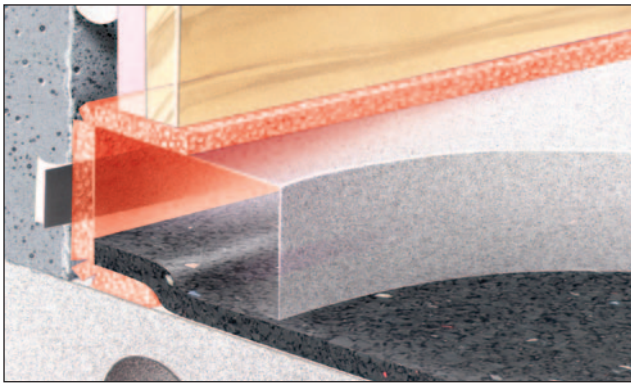
Application: Self adhesive flanking sound insulation strip for isolating screed from walls. Utilised in all TE under screed solutions.

Robust Detail: E-FC-4 / E-FC-12 E-FC-14 / E-FC-18

Suitability:



Features:



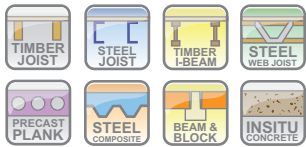
IsoEdge 6/260 is a purpose made flanking sound insulation strip that provides an extremely effective solution for difficult screed edge details. It is used in combination with Isorubber resilient layers to provide a complete acoustic solution.

This combination is used in all of our Under screed Part E compliant solutions and Robust Details.

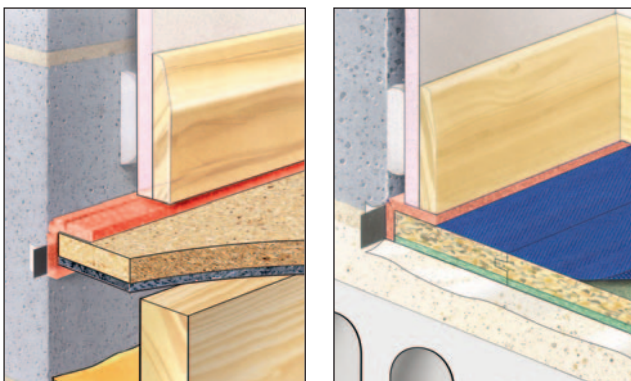
Product: **IsoEdge™**
6/75

Application: Self adhesive flanking sound insulation strip for isolating floating floors from walls. Utilised in all TE floating floor solutions.

Suitability:



Features:



IsoEdge 6/75 is a perimeter insulation strip for use around all of our floating floor products. It isolates the floating floor from walls, plasterboard and skirting boards.

IsoEdge 6/75 is used in our Part E compliant solutions and Robust Details that include the Platform Floor, Dek 30 and IsoSonic Screed Plank products.

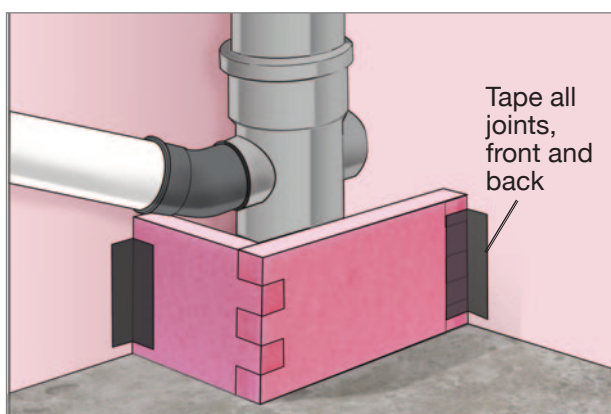
Product: **IsoEdge Stop End**

Application: Service pipe isolation strip for use in under screed solutions

Robust Detail: E-FC-4 / E-FC-12
E-FC-14 / E-FC-18

Suitability:

Features:



Un-insulated pipes are a common reason for sound test failures. **IsoEdge Stop Ends** provide a simple and effective solution to this problem area.

The interlocking design allows them to be assembled in various configurations, making them suitable for many types of application.

Suitable for use in all of our under screed Robust Details and Part E compliant solutions.



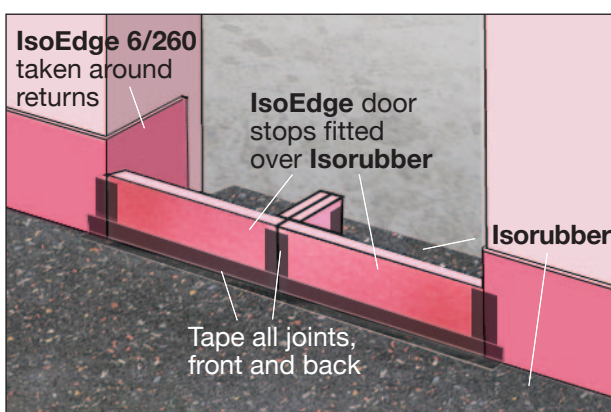
Product: **IsoEdge Door Stop**

Application: Door isolation strip for use in under screed solutions

Robust Detail: E-FC-4 / E-FC-12
E-FC-14 / E-FC-18

Suitability:

Features:



Door thresholds to common areas and external areas need to be isolated to prevent flanking sound transmission.

IsoEdge Door Stops provide a way to quickly, simply and effectively acoustically shutter doorways and prevent this sound bridge.

IsoEdge Door Stops are suitable for use in all of our under screed Robust Details and Part E compliant solutions.

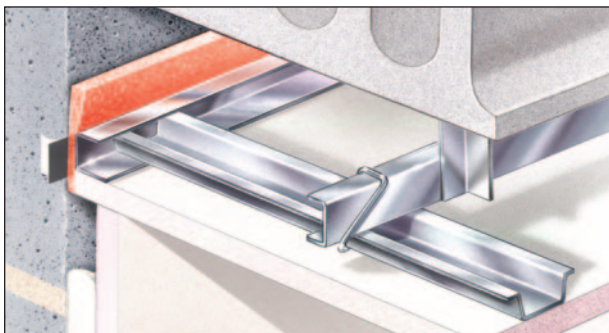


Product: **IsoEdge™**
Ceiling Strip

Application: Self adhesive ceiling perimeter seal strip

Robust Detail: E-FC-4 / E-FC-12
E-FC-14 / E-FC-18

Features:



IsoEdge Ceiling Strip is a self-adhesive flanking sound insulation for use in IsoSonic Ceiling details. It is installed at the junction where the ceiling meets the walls, eliminating hard contact points and restricting air movement.

It is designed for use with MF ceiling constructions and is a requirement of some Robust Detail ceiling solutions.

FEATURES KEY



Suitable for timber floor constructions.



Suitable for use with all types of under floor heating system.



Simple installation method with no specialist training required.



Suitable for use with retained ceilings.



Suitable for use in new build projects.



Low cost solution.



Suitable for use in ceiling constructions.

FLOOR SUITABILITY KEY



Thermal Economics is an insulation leader in thermal and acoustic solutions for the construction market. As specialists in this field with over 30 years of success,

we continually invest in R&D to provide innovative and high-performance solutions that remain cost effective as well as meet and exceed building regulation requirements.



Made from recycled waste rubber

T: 01582 450814
E: info@thermal-economics.co.uk
W: www.thermal-economics.co.uk



Visit our website for mobile friendly installation guides



For help choosing the right product for your project please contact Thermal Economics Technical Department on 01582 544255

For all our Acoustic & Thermal insulation products visit: www.thermal-economics.co.uk